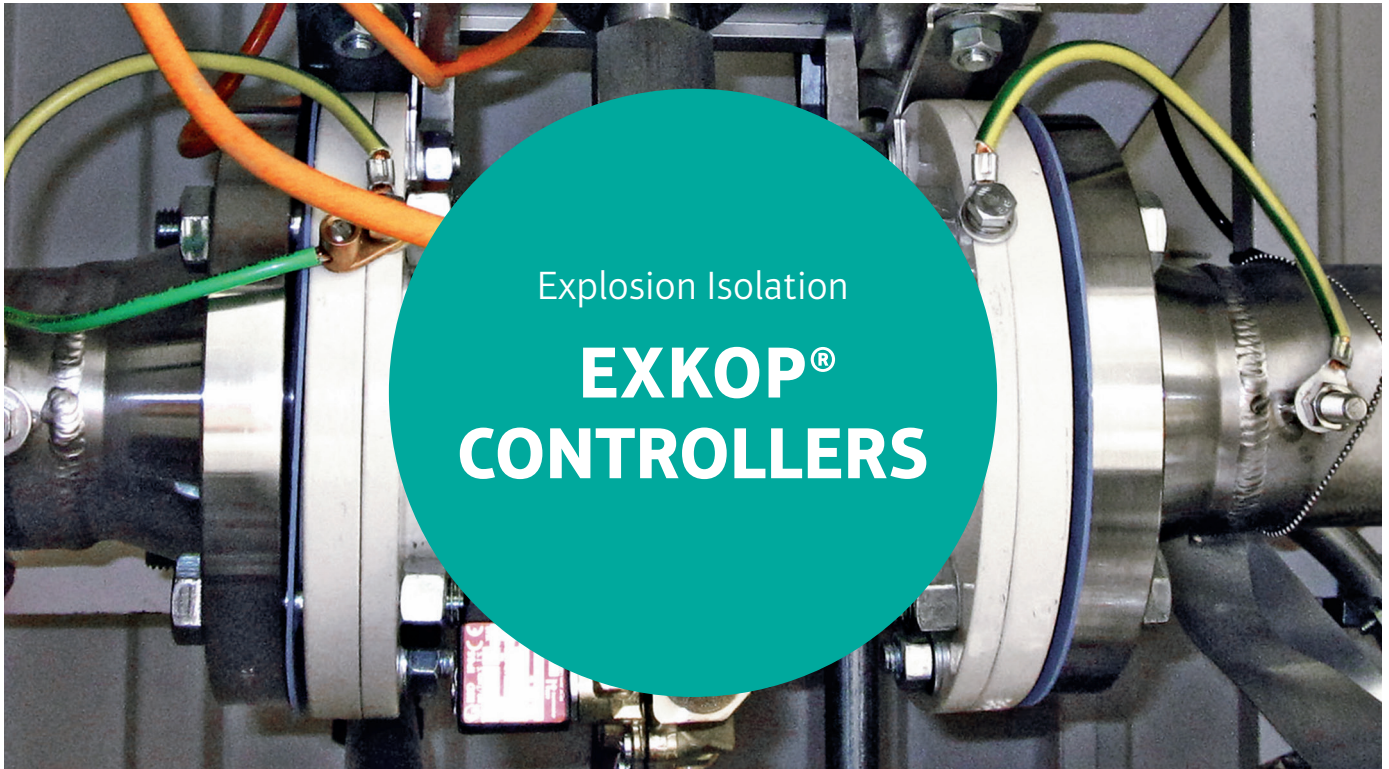




Safety is for life.™

PRODUCT INFORMATION



EXKOP® CONTROLLERS FOR VARIOUS ISOLATION SYSTEMS

Applications

In the case of an explosion, the EXKOP® controllers receive a trigger signal (e.g. from the signalling unit of the Q-Rohr®, an explosion vent, from a pressure sensor or IR-Flame detector) and activate the connected isolation systems which prevents an explosion from propagating.



ATEX
EC type examination
certificate no.
FSA 04 ATEX 1537 X
FSA 15 ATEX 1659 X
GEX 19 ATEX 1003X

Your advantages

EXKOP® TriCon	EXKOP® Express
<ul style="list-style-type: none"> • Fail-safe, compact control centre for the QV II Quenchvalve. • Developed for simplified commissioning of small applications. 	<ul style="list-style-type: none"> • One controller for all isolation systems (Quench valves QV II and QV III, Q-Bic™ as well as slide valves RSV and REDEX® Slide). • Self-monitoring safety electronics with operating data storage up to 100.000 events. • Compatible with REMBE® iQ. • System status and clear messages reported immediately via the touch panel (optional). • Online remote access possible (optional).

Made in Germany



iQ Safety Cockpit™

You can find detailed information and contact details for enquiries relating to EXKOP® controllers at www.rembe.de. Give us a call on: T +49 2961 7405-0 or contact us via email: info@rembe.de

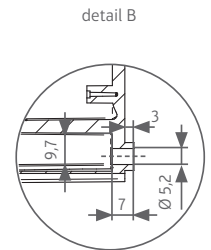
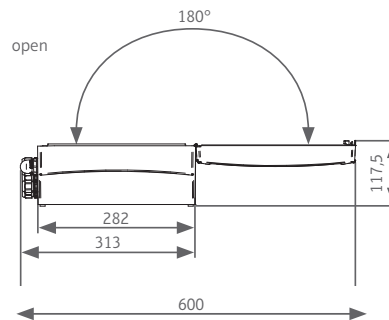
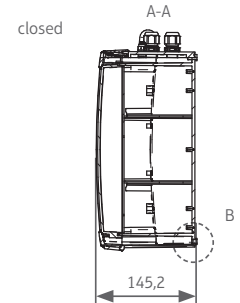
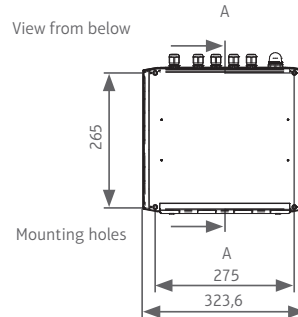
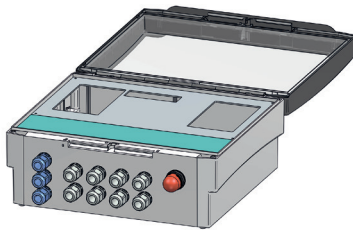




Safety is for life.™

PRODUCT INFORMATION

EXKOP® TriCon



Technical data*

	EXKOP® TriCon	EXKOP® Express
EC type examination certificate	FSA 15 ATEX 1660 X	GEX 19 ATEX 1003X
Supply voltage	110 V AC/60 Hz – 230 V AC/50 Hz	110 V AC/60 Hz – 230 V AC/50 Hz**
Max. no. of connectable detectors (lines)	3	2 to 36 (x3)
Isolation systems	QV II	QV II, QV III, Q-Bic™, RSV, REDEX® Slide
Max. no. of connectable isolation units	3	Depends on the special application
Power consumption	ca. 150 W	Depends on the special size
Potential-free relay contacts	4 (max. 250 V, 6A)	from 4 to 64
Wire cross-section (fine wire with ferrule)	0,5 – 0,75 mm ²	0,5 – 1,5 mm ²
Ambient temperature	0 – 50 °C (32–122 °F)	0 – 50 °C
Protection type	IP 65	IP 54
ATEX category	Zone-free	Zone-free
Housing material	Polycarbonate housing with lockable transparent front	Sheet steel housing with powder-coated front
Dimensions (W × H × D)	ca. 324 × 313 × 145 mm	Depending on the number of detectors and decoupling systems
Weight	ca. 4 kg	Depending on the number of detectors and decoupling systems
Remote access	-	optional
Touch Panel	-	available

*Our specialists will be pleased to assist you in finding a solution that matches your specific operating conditions.

**Depends on the size of the controller.



EXKOP® TriCon



EXKOP® Express

Consulting. Engineering. Products. Service.

REMBE® GmbH Safety+Control

Gallbergweg 21 | 59929 Brilon, Germany | T +49 2961 7405-0 | F +49 2961 50714
info@rembe.de | www.rembe.de